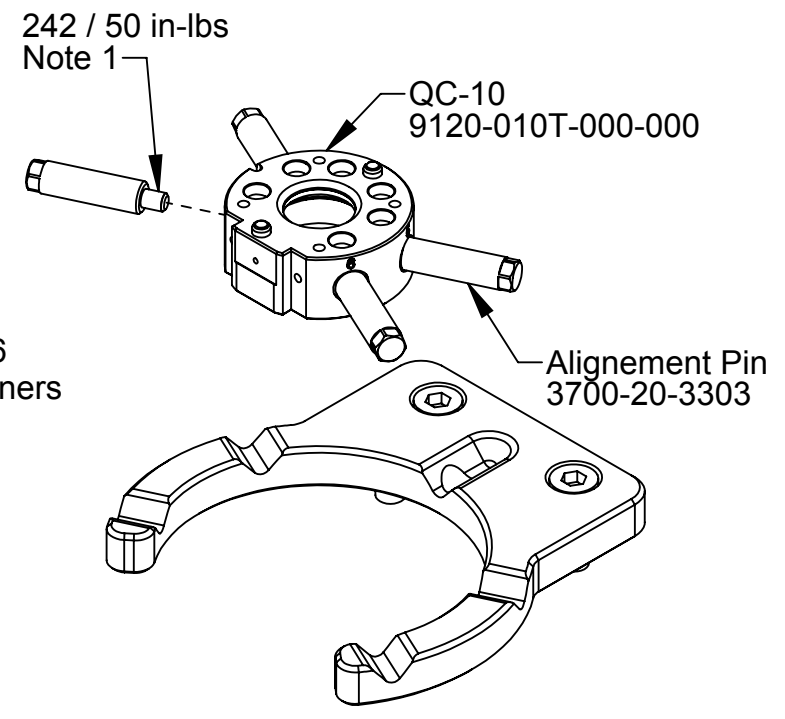
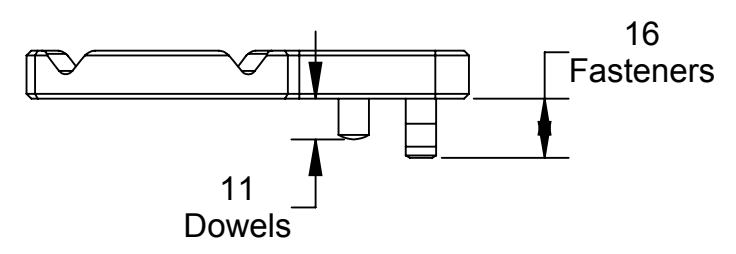
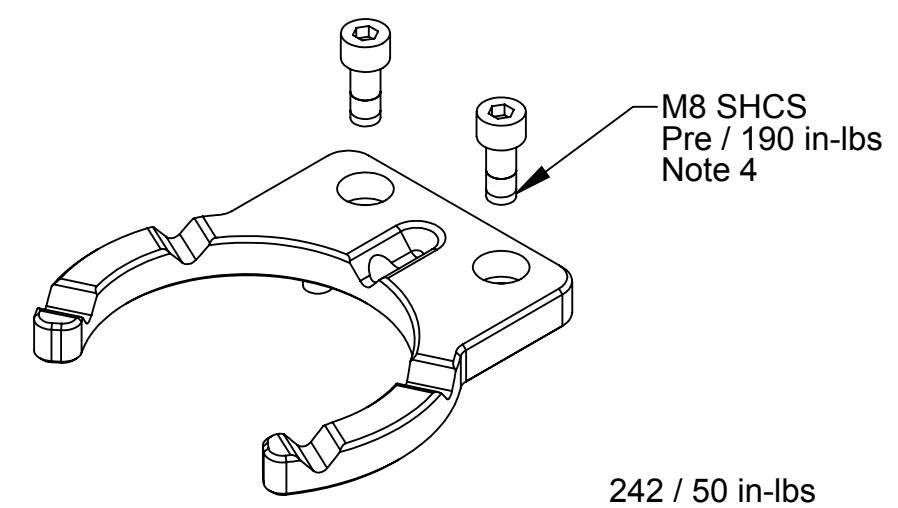
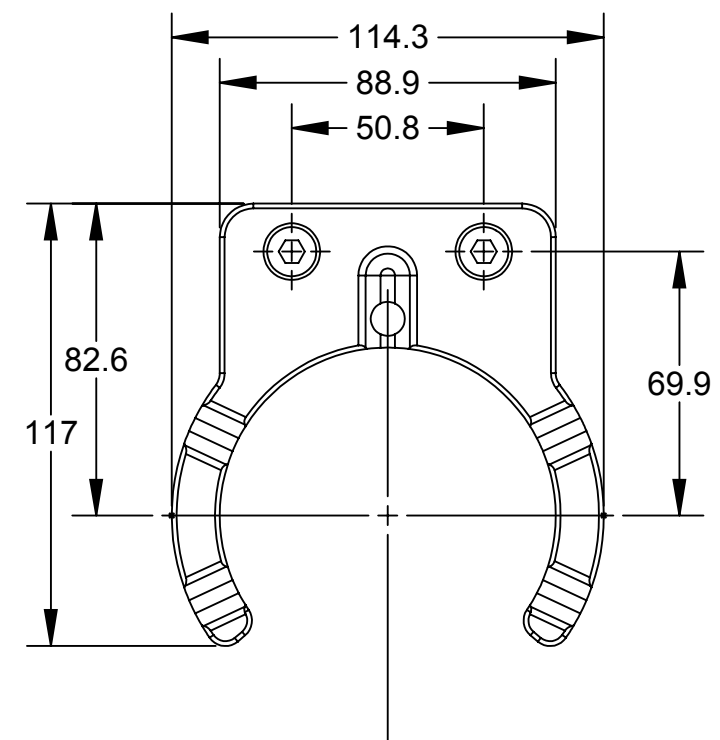
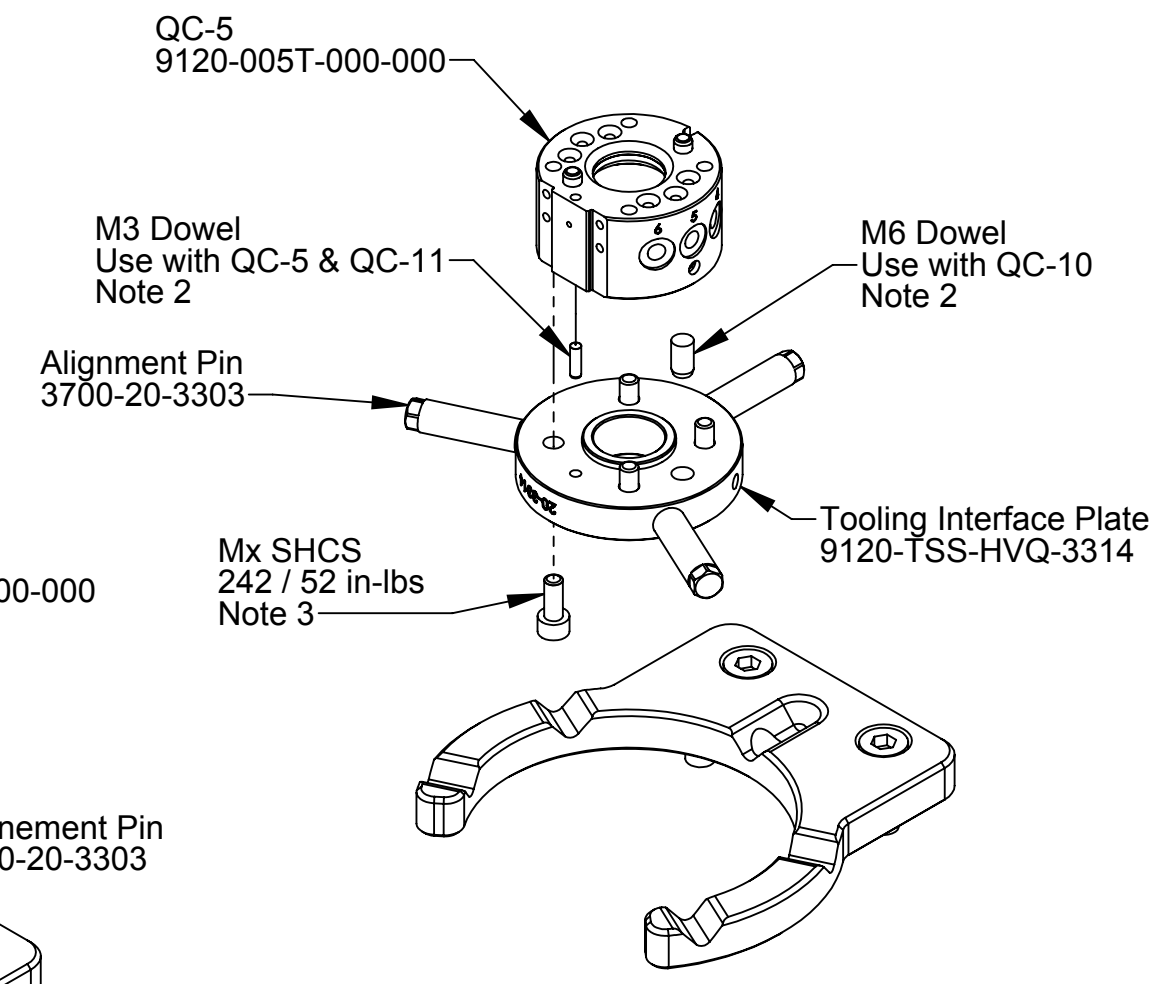


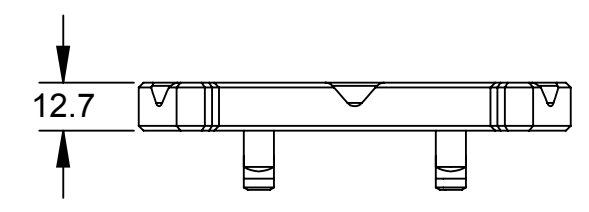
Rev.	Description	Initiator	Date
03	ECO 17620: 16 Fasteners was 21 Fasteners dimension for screw change in 9120-TSS-MMV-3310 assembly.	TBC	1/23/2019



**Air Port Option
Use with QC-10 or QC-11
Shown with QC-10**



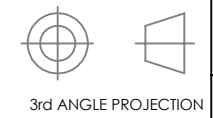
**Tooling Interface Plate Option
Use with QC-5, QC-10 or QC-11
Shown with QC-5**



Notes:

- Customer to install alignment pins with listed Loctite or similar threadlocker and torque to listed torque value.
- Customer to install appropriate dowel in the QC tool body.
- Customer to install fasteners with listed Loctite or similar threadlocker and torque to listed torque value.
- Customer to install pre-applied fasteners and torque to listed torque value.

NOTES: UNLESS OTHERWISE SPECIFIED.
DO NOT SCALE DRAWING. ALL DIMENSIONS ARE IN MILLIMETERS.



ITEM NO.	QTY.	PART NUMBER	DESCRIPTION
1	1	9120-TSS-MMV-3310	TSS Rack Module for QC 10,11

1031 Goodworth Drive, Apex, NC 27539, USA
Tel: +1.919.772.0115 Email: info@ati-ia.com
Fax: +1.919.772.8259 www.ati-ia.com
ISO 9001 Registered Company

PROPERTY OF ATI INDUSTRIAL AUTOMATION, INC. NOT TO BE REPRODUCED IN ANY MANNER EXCEPT ON ORDER OR WITH PRIOR WRITTEN AUTHORIZATION OF ATI.

DRAWN BY: D.Brewer, 10/4/13		TITLE	
CHECKED BY: J. Winterroth, 11/15/13		TSS Rack Module for QC-10, 11	
PROJECT #	SHEET 1 OF 1	SCALE	SIZE
		1:2	B
		DRAWING NUMBER	REVISION
		9630-20-TSS-MMV-3310	03